

# RF600R Self-cleaning Filter

From £3,608.00 GBP



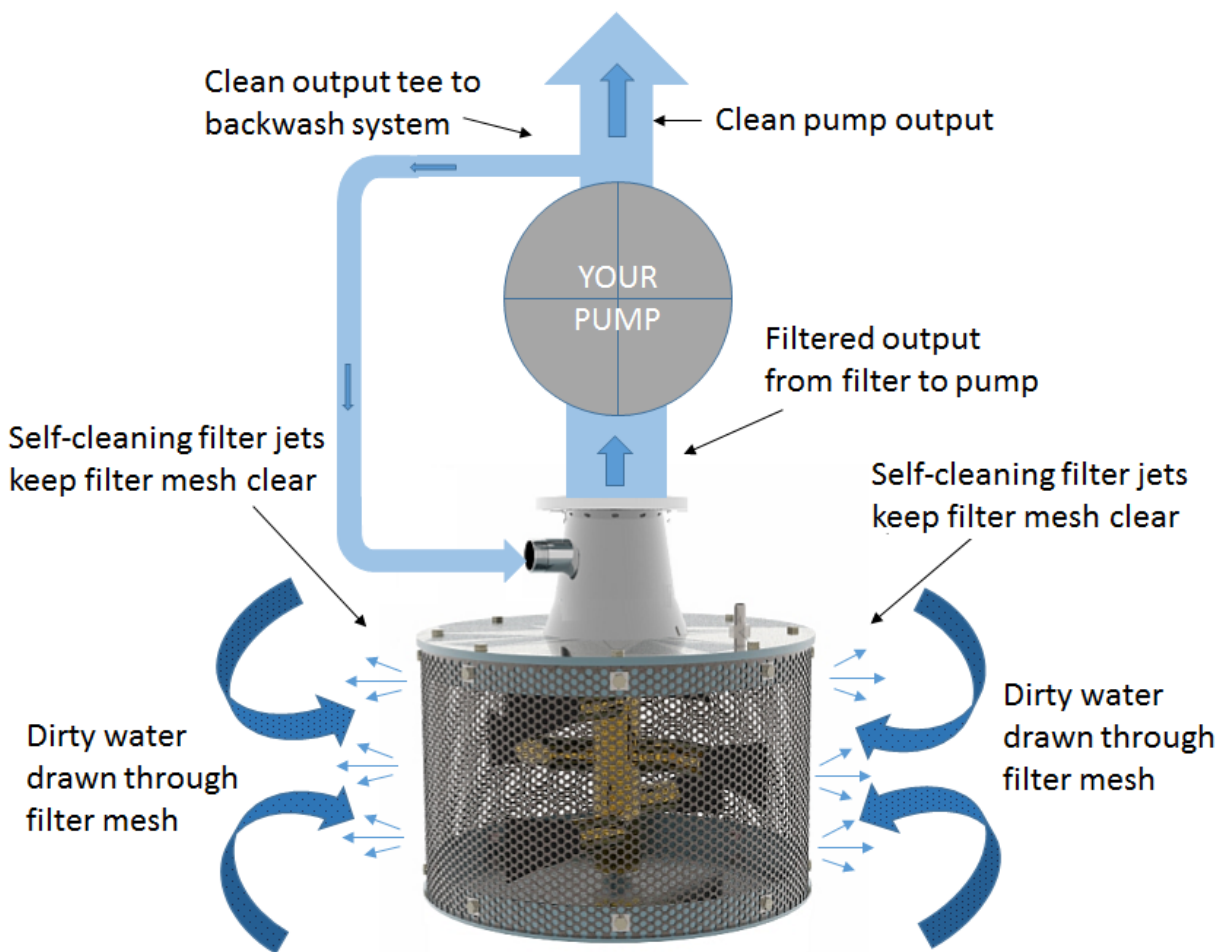
The RF600 range of self-cleaning filters provide industrial strength, low maintenance filtration for surface mounted pumps. They are coarse screened filters fitted with 6mm or 3mm perforated stainless steel screens, or 2mm or 1mm woven stainless steel filter mesh. The RF600s are extremely tough stainless steel self-cleaning basket filters that protect pumps and other connected equipment from blocking and blinding when pumping dirty water. Our award winning self-cleaning mechanism in the filters provides a continuous backwash keeping the filter mesh free of weed, debris and other suspended solids. The RF600s can handle 90 to 275 m<sup>3</sup> per hour. Their low velocity intake complies with current Regulations on Eel recovery.

## Key Features

- Stainless steel filter mesh
- Filters from 1mm to 6mm
- Reliable and easy to install and use
- Works with most centrifugal and progressive cavity pumps
- 275 cubic metres per hour maximum flow
- Capital, installation and maintenance costs reduced
- All stainless steel construction
- Option for marine grade steel.

## Description

### RF600R Self-cleaning Filters and Strainers



The RF600s combine industrial strength filtration with exceptionally low maintenance. The RF600 series are self-cleaning coarse screened strainers for

attachment to the suction hose of surface mounted pumps. The range can deliver from 1500 litres per minute to a maximum of up to 4,500 litres per minute.

The strainers are all stainless steel construction and the filter mesh sizes are 1mm 2mm 3mm and 6mm as standard.

Rotorflush self-cleaning filters use a proportion of your pump's output to supply a feed to an internal backwashing rotor. They are powered by taking a 'T' off the already filtered pump output to supply the Rotorflush internal rotors. The cleaning rotors continuously backwash the mesh screen blowing away anything that might cause it to block.

All our filters and strainers use the same patented technology, providing efficient self-cleaning backwash to keep their filter mesh clear. These filters can operate at source in very dirty water, reducing the need for settlement tanks or expensive in line filter systems.

There are five models of RF600R offering a broad range of capacity.. They are used in many industries for all kinds of dirty water filtration.

They are wild life friendly. The low intake velocity of these filters ensures that, when fitted with 2mm woven stainless steel mesh, they comply with current regulations for Eel protection.

Rotorflush filters can scale this product for [customised uses on a bespoke basis](#). Please contact us to discuss your requirements.

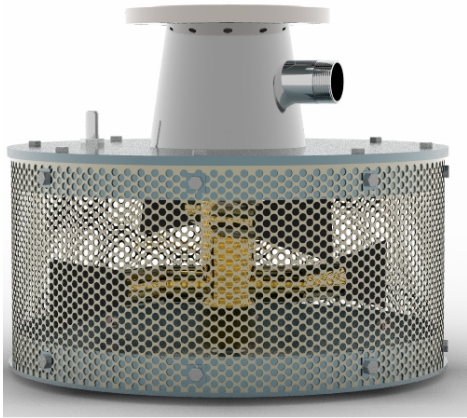
## Models & Specification

# RF600R Self-cleaning Intake Filters and Strainers

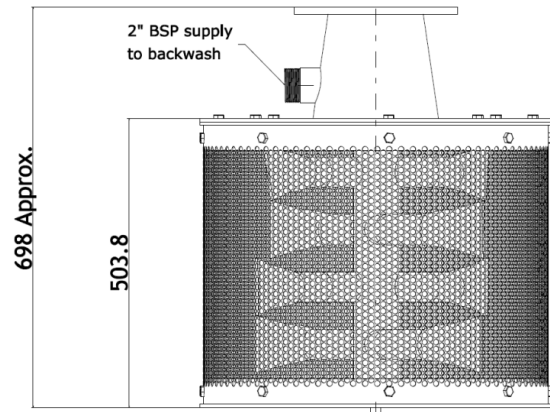
General Characteristics	RF600-200R	RF600-300R	RF600-400R	RF600-500R	RF600-600R
Water supply to cleaning rotor	All RF600 Filters - tapped from outlet side of main pump				
Maximum output (m <sup>3</sup> / per hour)	90	130	180	225	275
Standard screen aperture (mm)	All RF600 Filters - 3.0mm or 6.0mm perforated stainless steel, OR 1mm or 2mm woven stainless steel mesh				
Dimensions (diameter mm x height mm)	615 x 700	615 x 800	615 x 900	615 x 1000	615 x 1100
Weight (kg)	60	70	80	90	105
Backwash Pipe connections	2" BSP	2" BSP	2" BSP	3" BSP	3" BSP
Filter Outlet Flange	150mm DIN 2576	150mm DIN 2576	150mm DIN 2576	150mm DIN 2576	150mm DIN 2576
Suction	All RF600 Filters - 304 Stainless Steel				
Return	All RF600 Filters - 304 Stainless Steel				
Operating Pressure	All RF600 Filters - min 0.3 bar, max 0.5 bar				
Minimum backwash (m <sup>3</sup> / hour)	18	26	36	45	57



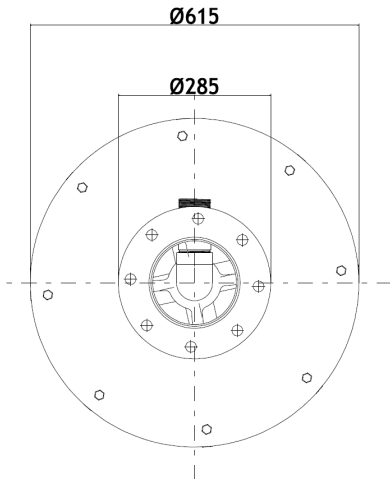
# RF600R Dimensions



RF600-200R

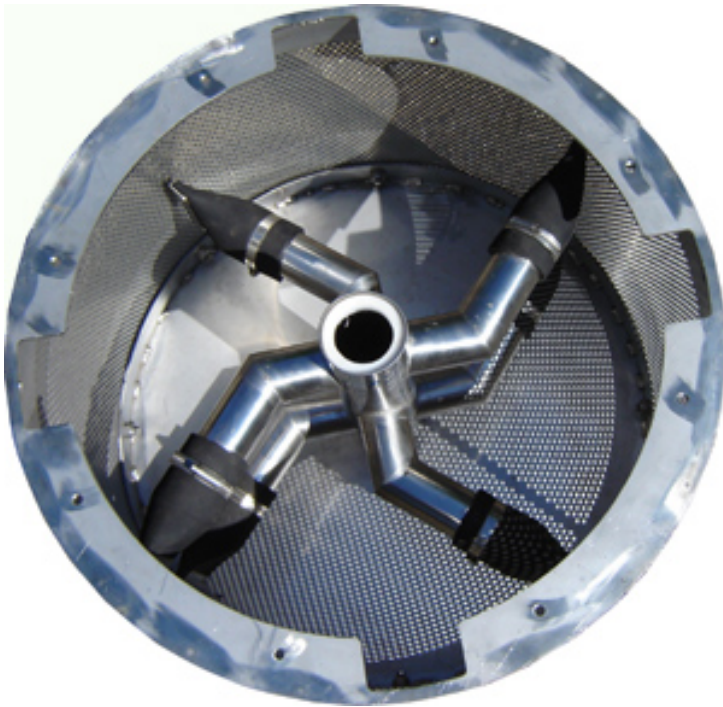


RF600-400R fitted with 6" Flange (other sizes can be fitted)



Approximate Dimensions	RF600-200R	RF600-300R	RF600-400R	RF600-500R	RF600-600R
Diameter mm x Height mm	615 x 700	615 x 800	615 x 900	615 x 1000	615 x 1100

## RF600R Strainer Construction



Component	Material
Filter cage and lid	304 Stainless Steel
Central turbine	304 Stainless Steel
Jets	Food grade natural rubber
Bearings	Acetal copolymer
Standard coarse screen	3mm or 6mm perforated 304 stainless steel 1mm or 2mm woven 316 stainless steel mesh

**Note: 316 Marine grade stainless steel is an option for all RF400 filters**



## Ordering

### Rotorflush RF600R Self-cleaning Filter - up to 4,500 litres per minute



Model	Price £ (GBP - exc. VAT)	
	Perforated stainless steel	Woven stainless steel
RF600-200R	£3,608.00	£3,950.76
RF600-300R	£3,908.00	£4,279.26
RF600-400R	£4,152.00	£4,546.44
RF600-500R	£4,820.00	£5,277.90
RF600-600R	£5,175.00	£5,666.63

#### Please state filter mesh size:

1mm and 2mm woven stainless steel mesh available and 3mm and 6mm perforated stainless steel mesh

Standard fittings are 150mm DIN 2576 outlet, and 3 inch BSP inlet to the backwash. Other flange sizes are possible

**Please note:**

**Delivery is by carrier and is usually between 5 and 7 days from order depending on product and availability.**

**Carriage and packing charges are extra.**

**Can't find what you need? Want to talk with us directly?**

**We're here to help. Call us on +44(0) 1297 560229**