

RF200A-E & RF200R-E Automatic Backwash Filter

From £1,369.00 GBP (exc VAT)



The RF200A-E and RF200R-E are self-cleaning intake filters for attachment to the suction hose of surface mounted pumps. These filters are the same as the RF200A filters and RF200R strainers with one difference. Unlike the 200A and 200R filters the backwash is not powered by the pump they are attached to - they have their own integral backwash pump to keep the filter mesh clear. This allows you to vary the output of your pump without affecting the performance of the backwash in the filter - useful if you have a variable speed drive on your pump. These filters and strainers will deliver up to 220 litres / minute of filtered output. The RF200A-E can be fitted with tough nylon filter mesh or sintered stainless steel mesh and can filter from 60 - 315 microns. The RF200R-E filters can be fitted with 1mm, 2mm, 3mm or 6mm mesh.

Key Features

- Strong nylon or stainless steel filter mesh
- Filters from 60 microns to 6mm
- High reliability and easy to use
- Works with most centrifugal and progressive cavity pumps
- Integral backwash pump keeps filter mesh clear
- Ideal for variable speed pumps
- 14 cubic metres per hour maximum flow
- Reduced capital, installation and maintenance costs
- All Stainless Steel construction

Description

RF200A-E and RF200R-E Automatic Backwash Filter



Rotorflush RF200A-E and RF200R-E automatic backwash filter is a self-cleaning pump intake. It provides protection against blockage to dry mounted pumps and other connected equipment. The RF200A-E and RF200R-E filters have a separate motor to drive their internal self-cleaning backwash, so that the cleaning mechanism is driven independently of the surface mounted pump.

They can be used where the pump output is variable without compromising the filter's backwash. The motor continuously backwashes the mesh screen blowing away anything that might cause it to block, whether your pump is pumping a low or high volume of water.

These are stainless steel dirty water suction intake filters with a capacity of up to 220 litres / minute (14 m³ per hour)

The RF200A-E automatic backwash filter can be fitted with replaceable nylon mesh inserts; on average nylon mesh inserts need replacing every 5000 hours continuous use for 300 micron mesh, and every 1000 - 2000 hours continuous use for 60 and 115 micron mesh, although these maintenance intervals will vary according to water conditions.

The RF200A-E can also be fitted with stainless steel filter mesh, and needs jet washing at similar intervals.

The RF200R-E is designed for coarser filtration and can be fitted with 1, 2, 3 or 6mm stainless steel filter mesh

The twin jets of the cleaning rotor rotate at about 60 rpm in each filter, clearing the whole screen every ½ second. As the cleaning mechanism is on the filtered side of the filter mesh debris in the water will not obstruct the mechanism, or affect the backwash pump.

For a larger capacity (up to 1000 litres per minute) please consider our [RF400AR-E self-cleaning filter - up to 1000 litres per minute](#). All our filters and strainers use the same patented technology, providing efficient self-cleaning backwash to keep the filter mesh clear for a range of flow rates.

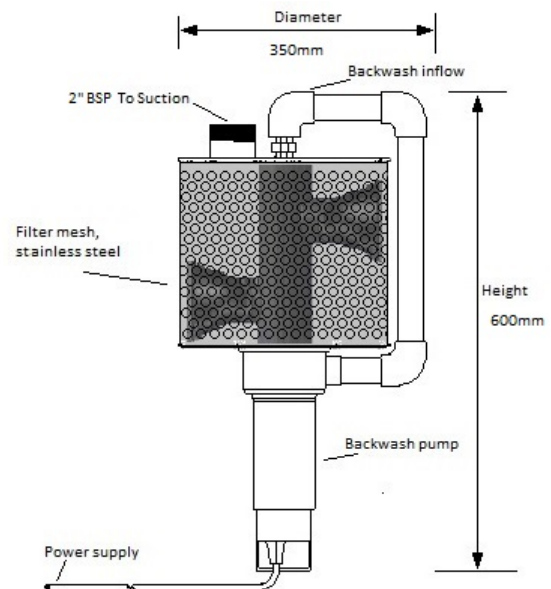
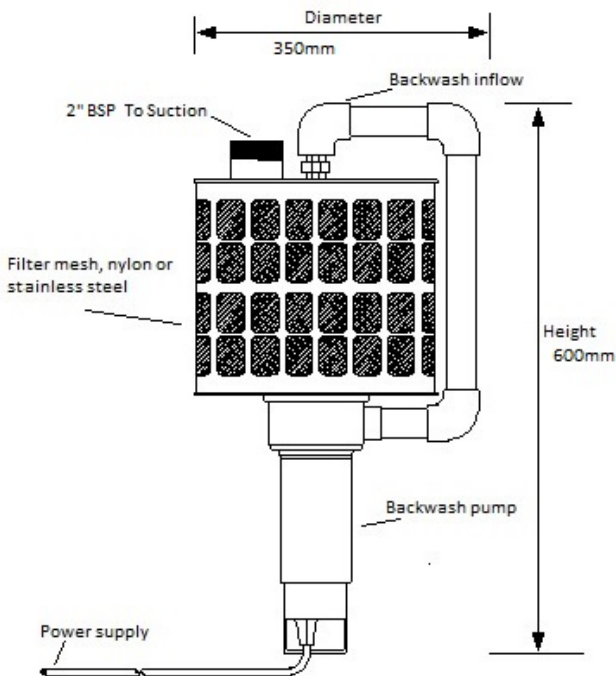
Models & Specification

RF200A-E and RF200R-E Automatic Backwash Filter

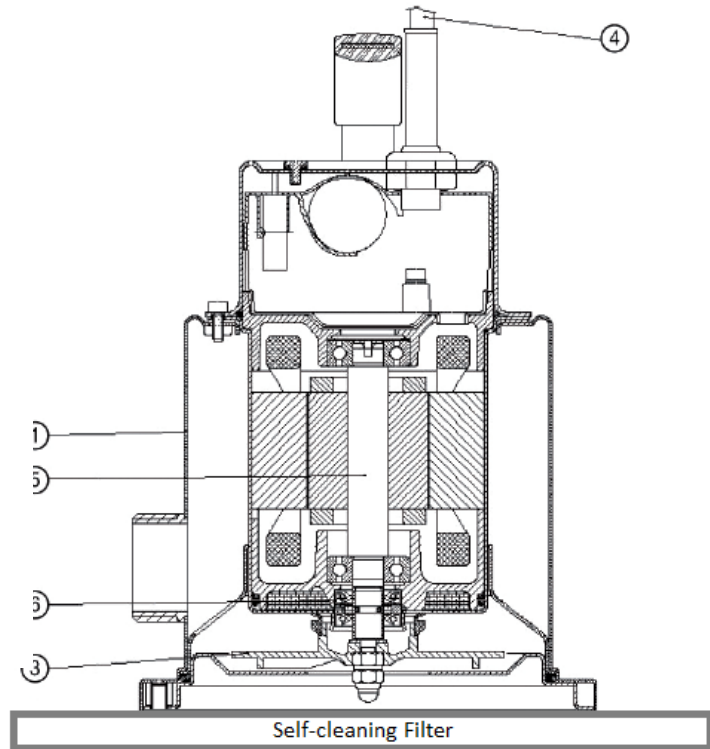


General Characteristics	RF200A-E	RF200R-E
Water supply to cleaning rotor	Supplied by built-in pump motor	
Maximum pump output (m ³ /hour)	14	
Standard screen mesh aperture (mm)	60, 115 or 300 micron nylon mesh	1 mm, 2 mm, 3 mm OR 6 mm stainless steel
Dimensions (width x height) (mm)	350 mm x 600 mm	
Filter Diameter	235 mm	
Weight (kg)	14	15
Suction pipe connection	2 "	
Return pipe connection	0.75 "	

RF200A-E and RF200R-E Automatic Backwash Filter Dimensions



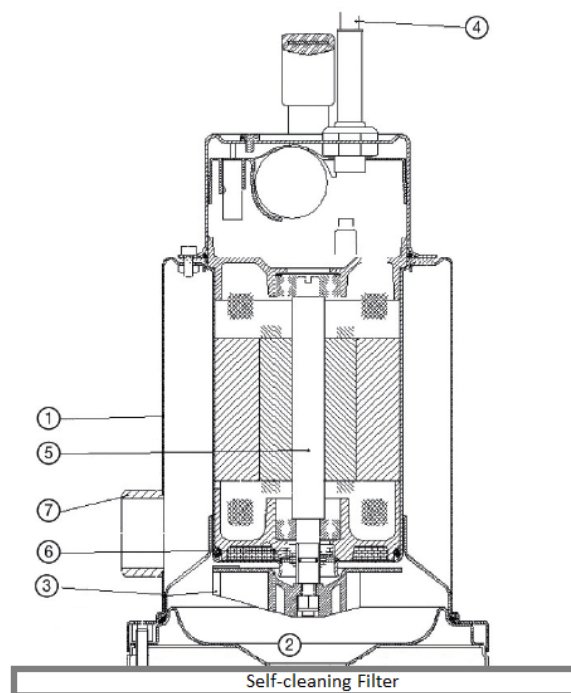
RF200A-E Backwash Pump Specifications



No.	Pump Component	Material
1	Pump body	Stainless steel X5 CrNi 1810 (AISI 304)
3	Impeller	Cast stainless steel X5 CrNi 1810 (AISI 304)
4	Motor body	Stainless steel X 8 CrNi 18-10 (AISI 304)
5	Power cable	10 m H07 RN-F with plug
6	Motor shaft	Stainless steel with ceramic coating at points of wear on seal
7	Mechanical gasket	Double fixed seal in rubber NBR70 sand-proof V-ring. Lubricated in oil chamber

MODEL	Motor output (P2)		Power Motor (P1)		VOLT	In (A)	μF
	HP	kW	HP	kW			
RF200A-E	0.55	0.40	0.75	0.55	220 - 240	2.4	8

RF200R-E Backwash Pump Specifications



No.	Pump Component	Material
1	Pump body	Stainless steel X5 CrNi 1810 (AISI 304)
2	Impeller	Stainless steel X5 CrNi 1810 (AISI 304)
3	Motor body	Stainless steel X5 CrNi 1810 (AISI 304)
4	Power cable	10 m H07 RN-F with plug
5	Motor shaft	Stainless steel X 12 CrNiS 1809 (AISI 416)
6	Seal	Double fixed seal in rubber NBR70 lubricated in oil chamber
7	Outlet port	Threaded male 1" 1/4 gas fitting

MODEL	Motor output (P2)		Power Motor (P1)		VOLT	In (A)	µF
	HP	kW	HP	kW			
RF200R-E	0.50	0.37	0.70	0.50	220 - 240	2.5	8

RF200A-E and RF200R-E Automatic Backwash Filter Construction



Component	Material	
	RF200A-E	RF200R-E
Filter cage and lid	304 Stainless Steel	304 Stainless Steel
Central turbine	304 Stainless Steel	304 Stainless Steel
Jets	304 Stainless Steel	304 Stainless Steel
Bearings	Acetal copolymer	Acetal copolymer
Standard filter mesh screen	60, 115 or 300 micron nylon mesh	3mm OR 6mm perforated stainless steel sheet.

Note: 316 marine grade stainless steel is an option for all RF200 filters

Ordering

Rotorflush RF200A-E and RF200R-E automatic backwash filter with integral backwash pump - up to 220 litres per minute



Rotorflush Filter Model No	Price £ (GBP - exc. VAT)
RF200A-E nylon filter mesh	£1,462.00 (GBP)
RF200A-E sintered stainless steel mesh	£1,619.00 (GBP)
RF200R-E woven stainless steel mesh	£1,462.00 (GBP)
RF200R-E perforated stainless steel mesh	£1,369.00 (GBP)

Please state filter mesh size:

RF200A-E mesh: 60, 115 or 300 micron bias cut nylon mesh is available and 50, 100 and 315 sintered stainless steel mesh

RF200R-E mesh: 3mm or 6mm perforated stainless steel mesh, or 1mm or 2mm woven stainless steel mesh

Standard fittings are 2 inch BSP outlet, and $\frac{3}{4}$ inch BSP inlet to the backwash.

If NPT connections are required please state when ordering and we can fit adaptors.

Please note:

Delivery is by carrier and is usually between 5 and 7 days from order depending on product and availability.

Carriage and packing charges are extra.

Can't find what you need? Want to talk with us directly?

We're here to help. Call us on +44(0) 1297 560229