

RF200A Self-cleaning Filters

From £927.00 GBP



The RF200A and RF200AS are self-cleaning filter screens for attachment to the suction hose of surface mounted pumps. The RF-A Series can be fitted with tough nylon filter mesh or sintered stainless steel mesh and can filter from 60 - 315 microns. The RF200A filters have a capacity of up to 220 litres per minute. All our filters have an internal cleaning rotor that is water powered by taking a 'T' off the output of your pump to supply the Rotorflush internal rotors. This supply continuously backwashes the mesh screen pushing away anything that might cause it to block. These filters can operate in very dirty water without blocking, reducing the need for settlement tanks and keeping maintenance to a minimum.

Key Features

- Strong nylon filter mesh
- Filters down to 60 microns
- High reliability and easy to use
- Works with most centrifugal and progressive cavity pumps
- 60 cubic metres per hour maximum flow
- Reduced capital, installation and maintenance costs
- Reduces the need for settlement tanks

Description

RF200A and RF200AS Self-cleaning Filters



200AS self-cleaning intake filters provide protection against blockage for surface mounted pumps and other connected equipment. These are stainless steel dirty water suction intake filters with a capacity of up to 220 litres / minute.

The RF200A filter can be fitted with replaceable nylon mesh inserts; on average nylon mesh inserts need replacing every 5000 hours continuous use for 300 micron mesh, and 1000 - 2000 hours continuous use for 60 and 115 micron mesh,³ although these maintenance intervals will vary according to water conditions.

The RF200AS can be fitted with stainless steel filter mesh, and needs jet washing at similar intervals.

These filters use a proportion of the pump's output to supply a feed to an internal backwashing rotor. This supply is taken off the already filtered pump output. The twin jets of the cleaning rotor rotate at about 60 rpm in each filter, clearing the whole screen every $\frac{1}{2}$ second. As the cleaning mechanism is on the filtered side of the screen debris in the water will not obstruct the mechanism. Approximately 10 -20% of the pump output is required to supply the cleaning rotor.

For a larger capacity (up to 1000 litres per minute) please consider our [RF400AR self-cleaning filter - up to 1000 litres per minute](#). All our filters and strainers use the same patented technology, providing efficient self-cleaning backwash to keep the filter mesh clear for a range of flow rates.

Alternatively, where your pump output is variable or your pump has a variable speed drive you may wish to use [RF-AE & RE series filters with backwash pumps](#).

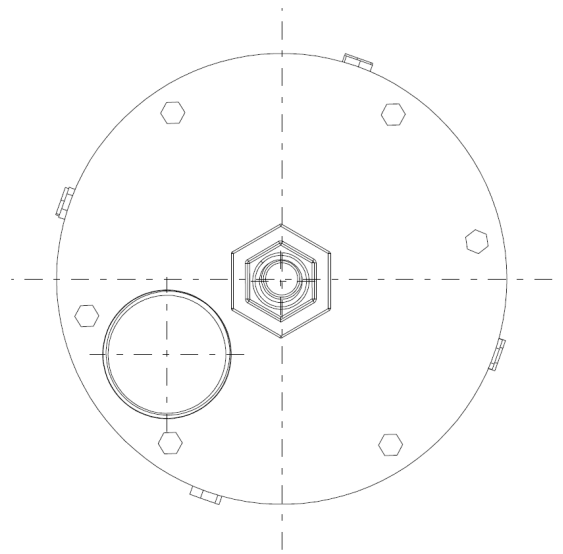
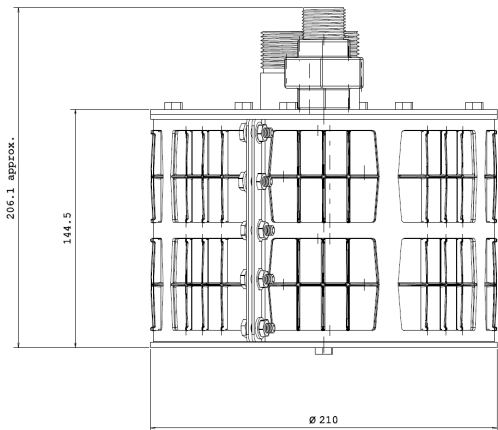
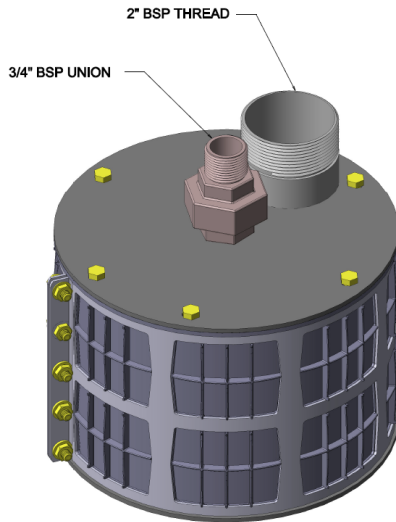
Models & Specification

RF200A and RF200AS Self-cleaning Intake Filter



General Characteristics	RF200A	RF200AS
Water supply to cleaning rotor	Tapped from outside of main pump	
Maximum pump output (m3 /hour)	14	
Standard screen mesh aperture (mm)	60, 115 or 300 micron nylon mesh	50, 115 or 300 micron sintered stainless steel mesh
Dimensions (diameter x height) (mm)	235 x 220	
Weight (kg)	4	5
Suction pipe connection	2 inch BSP	
Return pipe connection	0.75 inch BSP	
Proportion of pump output directed back to filter for back-washing (m3/hour)	1.5 - 3.0	

RF200A and RF200AS Dimensions



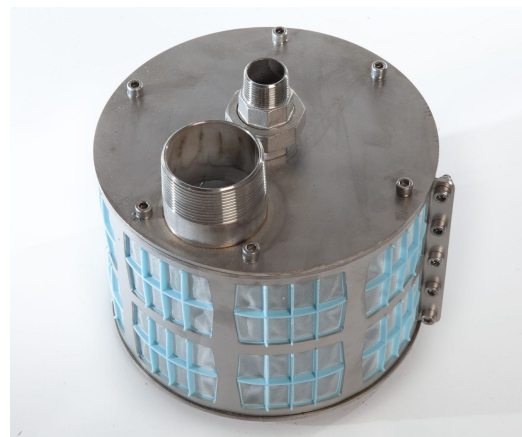
RF-A Series Filter Construction



Component	Material
Filter cage and lid	304 Stainless Steel
Central turbine	304 Stainless Steel
Jets	304 Stainless Steel
Bearings	Acetal copolymer
Standard filter mesh screen	60, 115 or 315 micron nylon mesh in polypropylene inserts 50, 115 or 300 micron stainless steel mesh

Ordering

Rotorflush RF200A / RF200AS Self-cleaning Filters - up to 220 litres per minute



Rotorflush Filter Model No	Price £ (GBP - exc. VAT)
RF200A nylon mesh	£1,084.00 (GBP)
RF200AS Stainless steel mesh	£1,911.00 (GBP)

Please state filter mesh size:

60, 115 or 315 micron bias cut nylon mesh is available and 50, 155 and 300 sintered stainless steel mesh

Standard fittings are 2 inch BSP outlet, and $\frac{3}{4}$ inch BSP inlet to the backwash. If NPT connections are required please state when ordering and we can fit adaptors.

Please note:

Delivery is by carrier and is usually between 5 and 7 days from order depending on product and availability.

Carriage and packing charges are extra.

Can't find what you need? Want to talk with us directly?

We're here to help. Call us on +44(0) 1297 560229