

# Jasper Range

From £4,210.00



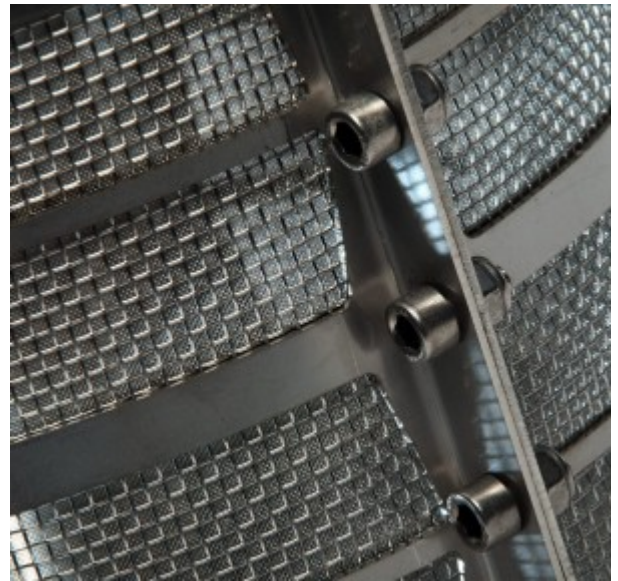
The Jasper range of low and medium head submersible pumps with integral self-cleaning intake screens have a maximum output of 800 litres per minute. These filterpumps can be fitted with screen sizes ranging from 6mm perforated steel to 115 micron woven mesh. The Jasper range filterpumps are low-maintenance and easy to install. You can pump and filter directly from your water source - the efficient self-cleaning filter protects the intake and pump from blockage. Ideal for pumping dirty water, keeping fountains running, irrigation and marine use. The durable three phase motors have thermal overload protection and are available with both 50 and 60 Hz motors.

## Key Features

- Stainless steel shaft, sleeve, and motor casing
- Stainless steel fixings
- Top discharge outlet
- Stainless steel filter cage
- Internal thermal overload protection
- Filter mesh 115 micron to 6mm
- Very low maintenance filtration
- 48 m<sup>3</sup> maximum flow
- High reliability and easy to use
- Reduced installation and maintenance costs
- 50Hz and 60Hz models available

## Models & Specification

# Jasper Range Submersible Pumps with Built-in Self-cleaning Intake Screens




The Jasper Range pump self-cleaning intake can be fitted with a range of mesh sizes:

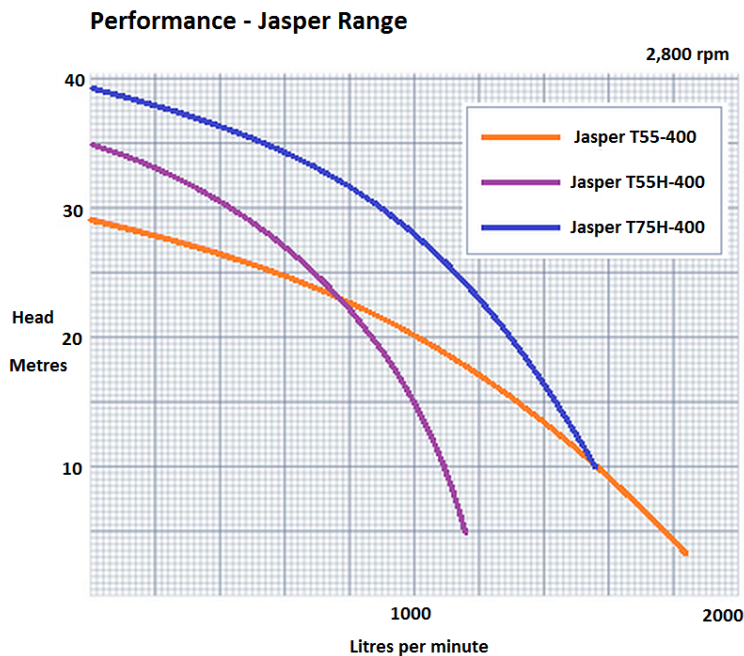
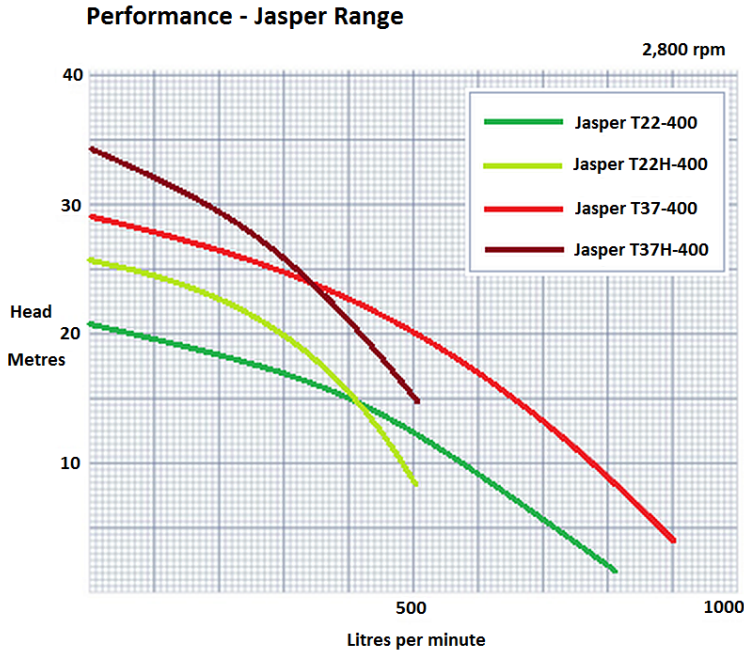
- 100 or 300 micron nylon filter mesh
- 100 or 300 micron stainless steel sintered filter mesh
- 1mm or 2mm woven stainless steel mesh
- 3mm or 6mm perforated steel mesh.

Stainless steel mesh is ideal for more challenging environments. The Jasper range filterpumps are suitable for pumping seawater and can be fitted with 316 stainless steel self-cleaning intakes.

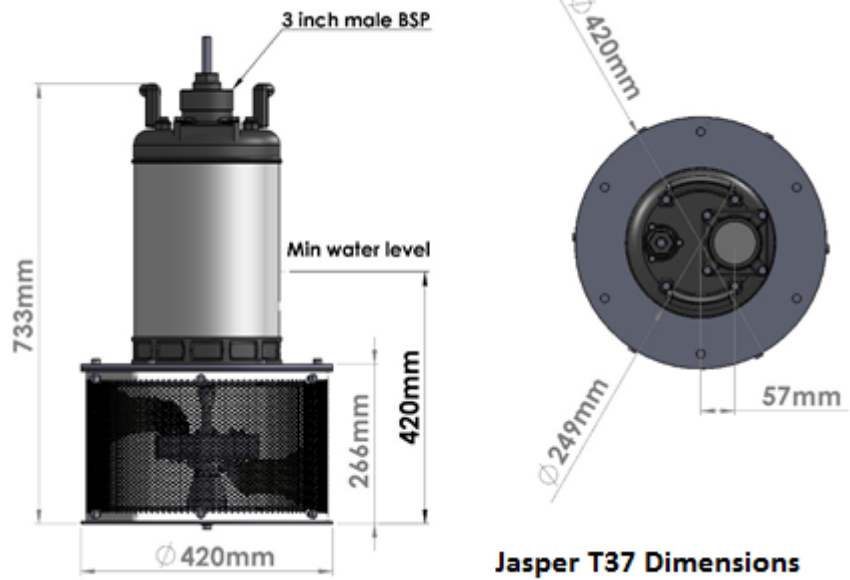
## Jasper Range Performance and Power

Model	Volts	kW	Outlet	Max L/min	Max Head (m)	60Hz option	Phase	View
Jasper T22-400	415	2.2	3" or 4"	800	20	Y	3	
Jasper T22H-400	415	2.2	2" or 3"	500	25	Y	3	
Jasper T37-400	415	3.7	3" or 4"	900	28	Y	3	
Jasper T37H-400	415	3.7	2" or 3"	500	34	Y	3	
Jasper T55-400	415	5.5	4"	1000	25	Y	3	
Jasper T55H-400	415	5.5	3" or 4"	1000	35	Y	3	
Jasper T75-400	415	7.5	4"	1000	38	Y	3	
Jasper T75H-400	415	7.5	4"	1000	38	Y	3	

# Jasper Range Performance Curves



## Jasper Range Dimensions



	Model No						
Dimensions	Jasper T22-400	Jasper T22H-400	Jasper T37-400	Jasper T37H-400	Jasper T55-400	Jasper T55H-400	Jasper T75H-400
<b>Height</b>	530	530	535	535	640	600	640
<b>Filter Diameter</b>	250	250	250	250	250	250	250
<b>Weight</b>	70	70	75	75	90	90	95

## Self-Cleaning Intake Filter Construction

Filter screen area	2500 cm <sup>2</sup>
Screen sizes standard	115µ, 300µ, 1mm 2mm, 3mm and 6mm (others sizes can be fitted)
Screen material	Stainless steel sintered, woven or perforated mesh
Impeller extension shaft	Stainless Steel
Impeller	Stainless steel
Rotor	Acetal / Stainless Steel
Rotor Bearings	Silicon Carbide / Acetal
Filter cage	Stainless Steel

---

---

## Ordering

### Jasper Range Rotorflush Filter-pumps from 500 to 1000 litres / min

**Submersible pumps with integral 100 micron to 6mm self-cleaning intake filters\***

<b>Model</b>	<b>Three Phase 50Hz</b>
Jasper T22-400	£4,210.00
Jasper T22H-400	£4,265.00
Jasper T37-400	£4,430.00
Jasper T37H-400	£4,610.00
Jasper T55-400	£5,210.00
Jasper T55H-400	£5,540.00
Jasper T75H-400	£5,725.00

**\* Sintered Stainless Steel 115 and 300 micron mesh screens are plus £157.50p (GBP) per filter-pump exc. VAT and Carriage**

#### **Please note:**

**All our products are manufactured to order**

**Delivery is by carrier and is usually between 5 and 14 days from order depending on product and availability.**

**Carriage and packing charges are extra.**